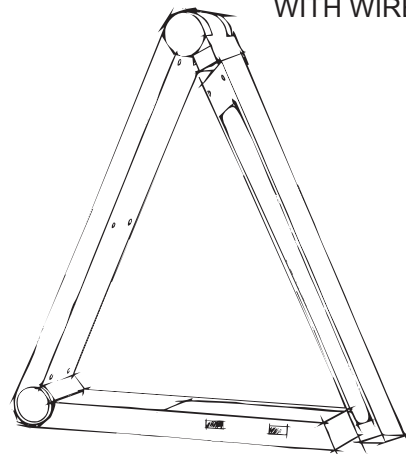


USER MANUAL

DISPLAYS2GO

INTELLIGENT LED DESK LIGHT WITH WIRELESS CHARGER



FDLEDLAMP3G
FDLEDLAMP4G

Scan QR code to visit the product page:



Ver. 04/20

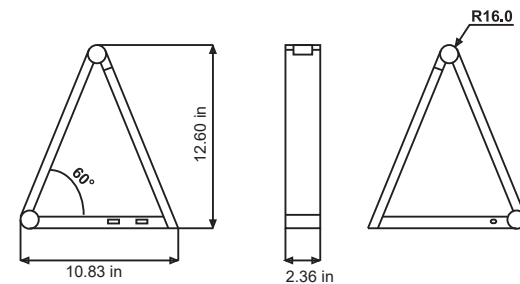
1 Product Features

- SideView LED, High-grade LGP and diffuser produce soft and even lighting effect.
- TUV, UL, SAA, PSE and ERP approving external LED adaptor. Low voltage and constant current output, no flicker and safe.
- Brand-name LED chips, CRI>90 with consistent quality.
- Intelligent touch dimmable on brightness from 10% to 100%. Color temperature from 2700K to 6500K.
- (2) intelligent USB charging ports, automatically adjust the current and charges your device.
- Qi wireless charger (optional) with LED indicator. Stops charging automatically after reaching full charge; with FOD-check function; safe to use with metal objects around.

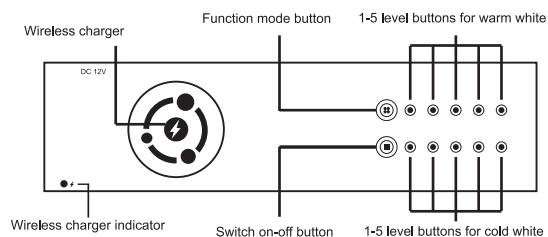
2 Specifications

Input Voltage: AC100-240V
Switch Method: Touch Sensor
Lamp Rotation Angle: 180°
Lamp Power: 5W
Light Source: 96pcs LED
Color Temperature: 2700K-6500K
Luminous Mode: Side-emitting
Lamp Size: L275mm*W60mm*H320mm
Inner Box Size: L313mm*W65mm*H382mm
Net Weight (without adapter): 830g
Output Voltage : DC 12V
Smart Quick Charger: DC 5V 2A (2 USB)
Wireless Charger: 5W-10W
CRI: >90
Lamp Illuminance: 1000lux @300mm
Material: PC+ABS

3 Lamp Overview

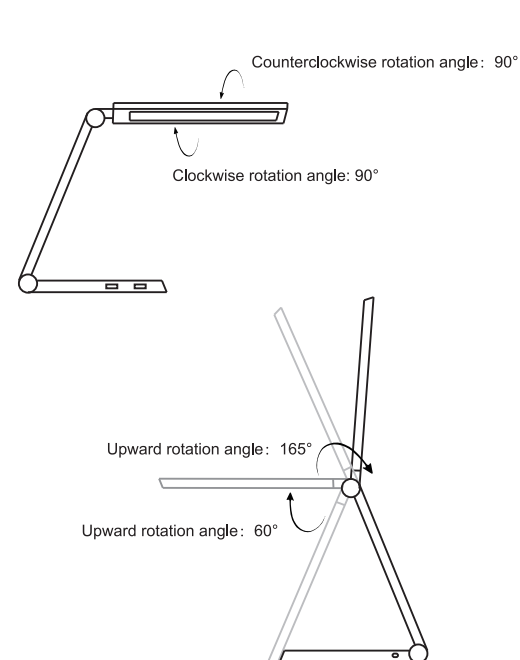


4 Description of Buttons



- Single CCT Mode: Press buttons 1-5 to select brightness lever from 12%, 35%, 55%, 80% and 100% respectively.
- Mixed CCT Mode: Press buttons 1-5 to select brightness lever from 10%, 20%, 30%, 40% and 50% respectively.

5 Adjusting Lamp Position



6 Operating Instructions

- ON/OFF button: Plug in the power cord, touch ON/OFF button to turn the light on/off.
- Press the Function Mode Button to switch between Single CCT mode and Mixed CCT mode.
 - ① Single CCT Mode: The light will show in cold white once it is turned on. The brightness can be adjusted by touching cold white mode or warm white mode's 1-5 level buttons. The light will show only one color temperature at a time.
 - ② Mixed CCT version: Touch the Function Mode Button then the light color will switch to mixed with cold white and warm white; Touch the Function Mode Button again, the light will switch to Single CCT Mode.
- Memory function: When plugged in, the LED light will automatically switch to the last brightness level when turned back on.
- USB Charging port: Plug in your charging cable and connect your device. The output will be:
 - ① 2A if 1 USB port in use
 - ② 1A for each if both USB ports are in use.
- Wireless charging: Red light indicates standby, Blue light indicates charging.

CAUTION:

- For indoor use ONLY.
- The lamp head may get hot when in use. Do NOT touch the LED lights.
- ONLY use the supplied AC power adapter.
- LED module is not replaceable.
- Do NOT look directly at the LED lights.

7 Packing List

LED Lamp	1pc
Power Adaptor	1pc
User Manual	1pc

If you have any questions regarding our products, please visit us at www.displays2go.com or contact D2G customer service at 844-221-3388.